

BUCAL

LOCATION SITE



Solemar del Pansol

PANSOL



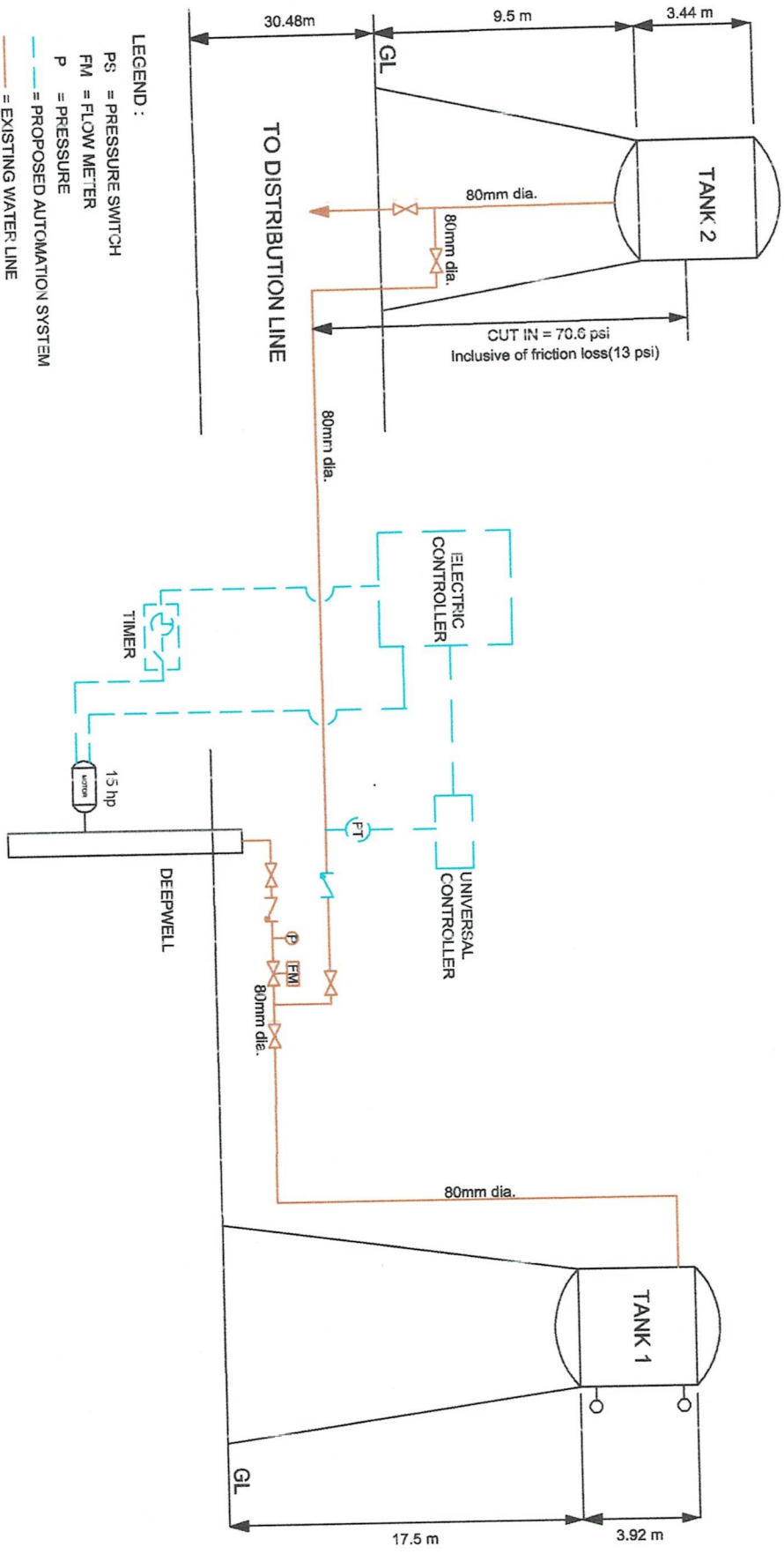
# LOCATION PLAN

SCALE: NTS

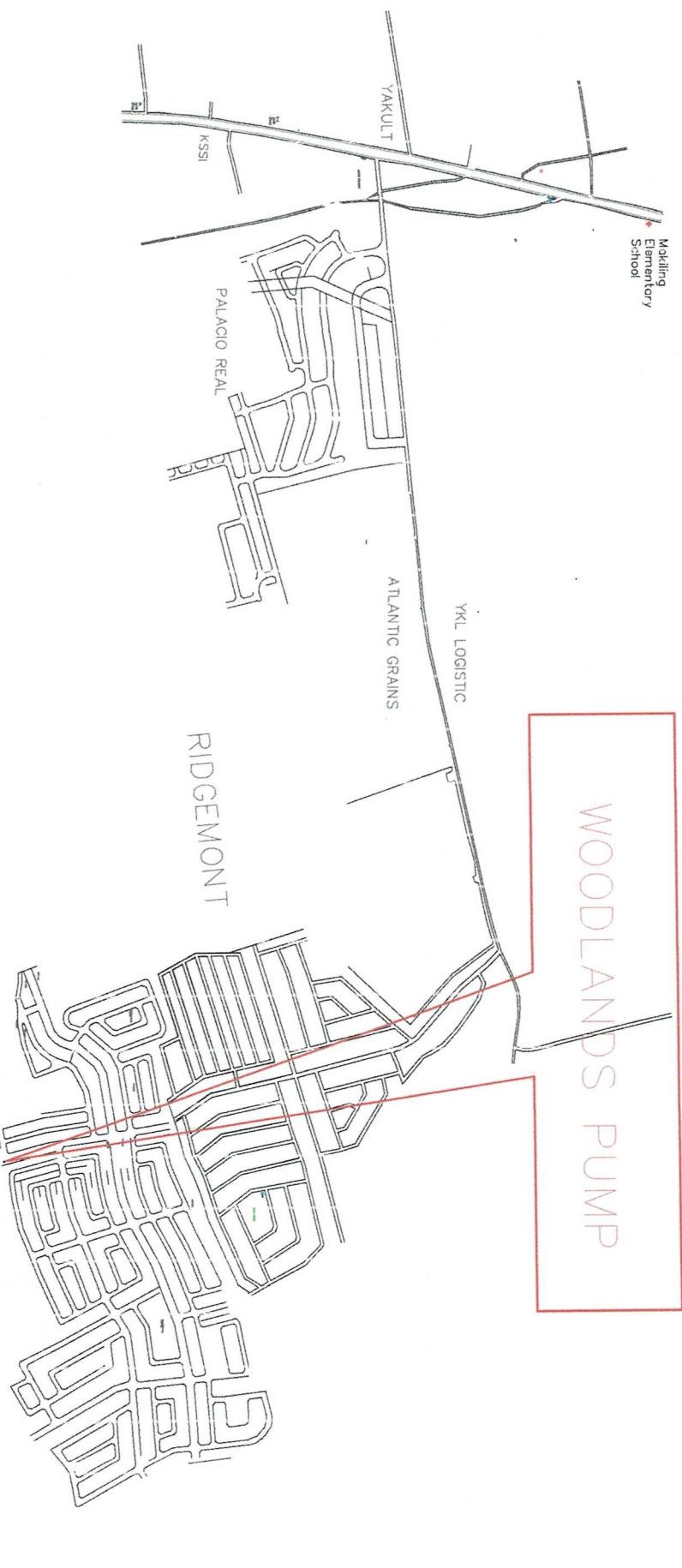
<b>COMPANY</b>  <b>CALAMBA WATER DISTRICT</b> ENGINEERING DEPARTMENT PLANNING AND DESIGN DIVISION		<b>PROJECT TITLE:</b> PRESSURE TRANSMITTER CONTROL SYSTEM		<b>AUTOCAD BY:</b> MR. FERNANDO H. ARELLANO JR.		<b>SHEET CONTENT:</b> AS INDICATED ABOVE		<b>DATE:</b> 3-18-2020	
<b>ADDRESS:</b> HALANG, CALAMBA CITY		<b>LOCATION:</b> Brgy. Pansol, Calamba City		<b>DESIGNED BY:</b> ENGR. FANELY S. CARTAGO		<b>RECOMMENDED BY:</b> ENGR. FANELY S. CARTAGO		<b>APPROVED BY:</b>  MR. EXEQUIEL AGUILAR JR.	

SHEET NO. LH - 1

# LAGUNA HILLS WATER SYSTEM SCHEMATIC DIAGRAM



<b>COMPANY:</b> W CALAMBA WATER DISTRICT ENGINEERING DEPARTMENT PLANNING AND DESIGN DIVISION	<b>PROJECT TITLE:</b> PRESSURE TRANSMITTER CONTROL SYSTEM	<b>AUTOCAD BY:</b> MR. FERNANDO H. ARELLANO JR.	<b>SHEET CONTENT:</b> AS INDICATED ABOVE
<b>ADDRESS:</b> HALANG, CALAMBA CITY	<b>LOCATION:</b> Brgy. Pansol, Calamba City	<b>DESIGNED BY:</b> ENGR. RANIELY S. CARTAGO	<b>DATE:</b> 3-18-2020
		<b>CHECKED BY:</b> ENGR. RANIELY S. CARTAGO	<b>SHEET NO.:</b> LH - 2
		<b>RECOMMENDED BY:</b> MR. EXEQUIEL AGUILAR JR.	
		<b>APPROVED BY:</b>	



# LOCATION PLAN

SCALE: NTS

**W**  
**CALAMBA WATER DISTRICT**  
 ENGINEERING DEPARTMENT  
 PLANNING AND DESIGN DIVISION

PROJECT TITLE:  
**PRESSURE TRANSMITTER CONTROL SYSTEM**

LOCATION:  
**Trgy. Makiling, Calamba City**

AUTOCAD BY: **MR. FERNANDO H. ARELLANO JR.**

DESIGNED BY: **MR. FERNANDO H. ARELLANO JR.**

CHECKED BY: **ENGR. RANIELYN S. CARTAGO**

RECOMMENDED BY: **ENGR. RANIELYN S. CARTAGO**

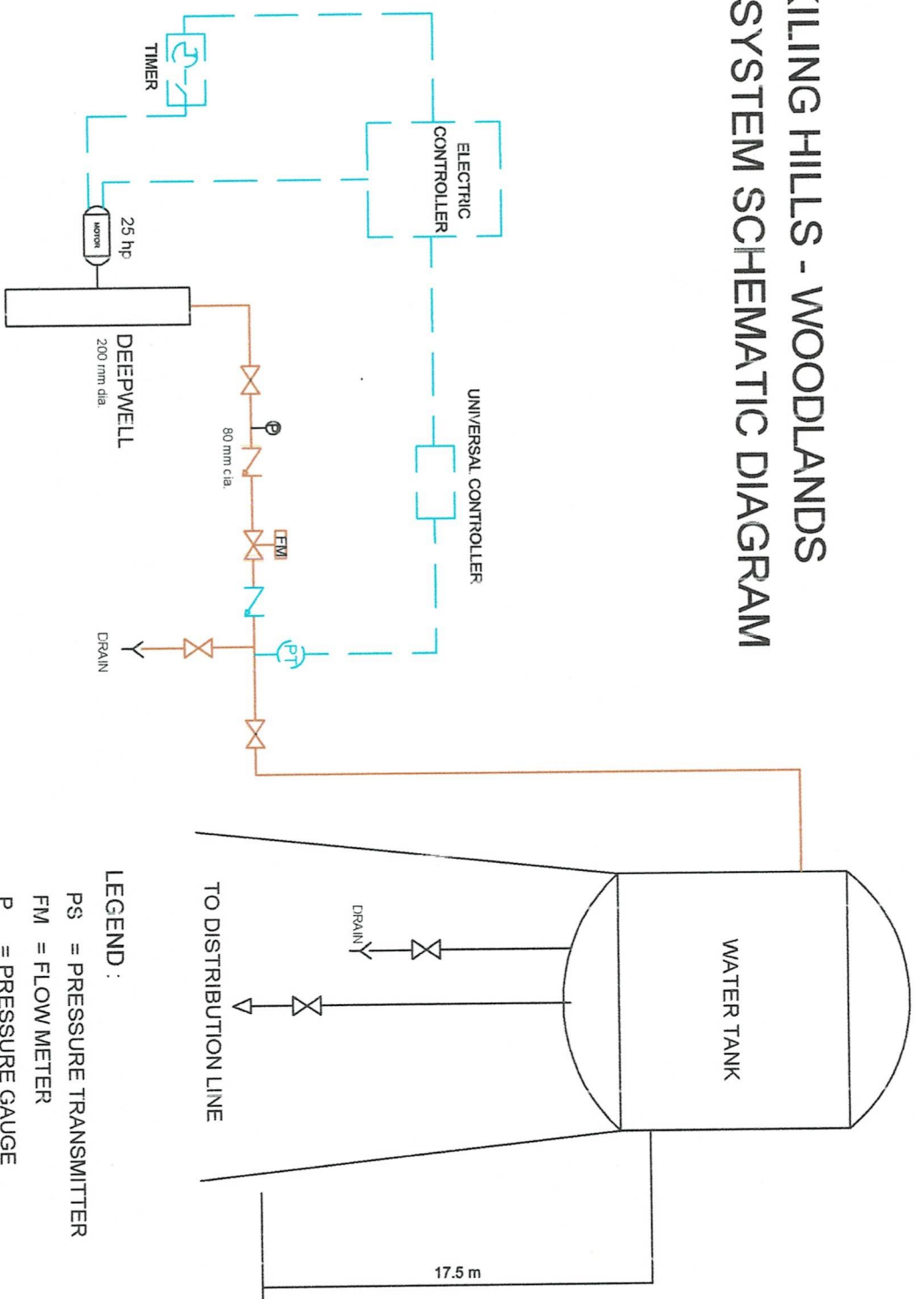
APPROVED BY: **MR. EXECUTIVE AGUILAR JR.**

SHEET CONTENTS:  
 AS INDICATED ABOVE

DATE:  
**3-19-2020**

SHEET NO:  
**WL - 1**

# MAKILING HILLS - WOODLANDS WATER SYSTEM SCHEMATIC DIAGRAM



- LEGEND :**
- PS = PRESSURE TRANSMITTER
  - FM = FLOW METER
  - P = PRESSURE GAUGE
  - = PROPOSED AUTOMATION SYSTEM
  - = EXISTING WATER LINE

**3177 Public Service**

**CALAMBA WATER DISTRICT**  
ENGINEERING DEPARTMENT  
PLANNING AND DESIGN DIVISION

LAKEVIEW SUBD., HALANG, CALAMBA CITY

PROJECT TITLE:	PRESSURE TRANSMITTER CONTROL SYSTEM		
LOCATION:	Brgy. Makiling, Calamba City		
AUTOCAD BY:	MR. FERNANDO H. ARELLANO JR.	SHEET CONTENTS:	AS INDICATED ABOVE
DESIGNED BY:	MR. FERNANDO H. ARELLANO JR.	DATE:	3-19-2020
CHECKED BY:	ENGR. RANIELYN S. CARTAGO	SHEET NO.	WL - 2
RECOMMENDED BY:	ENGR. RANIELYN S. CARTAGO		
APPROVED BY:	MR. EZEQUIEL AGUILAR JR.		